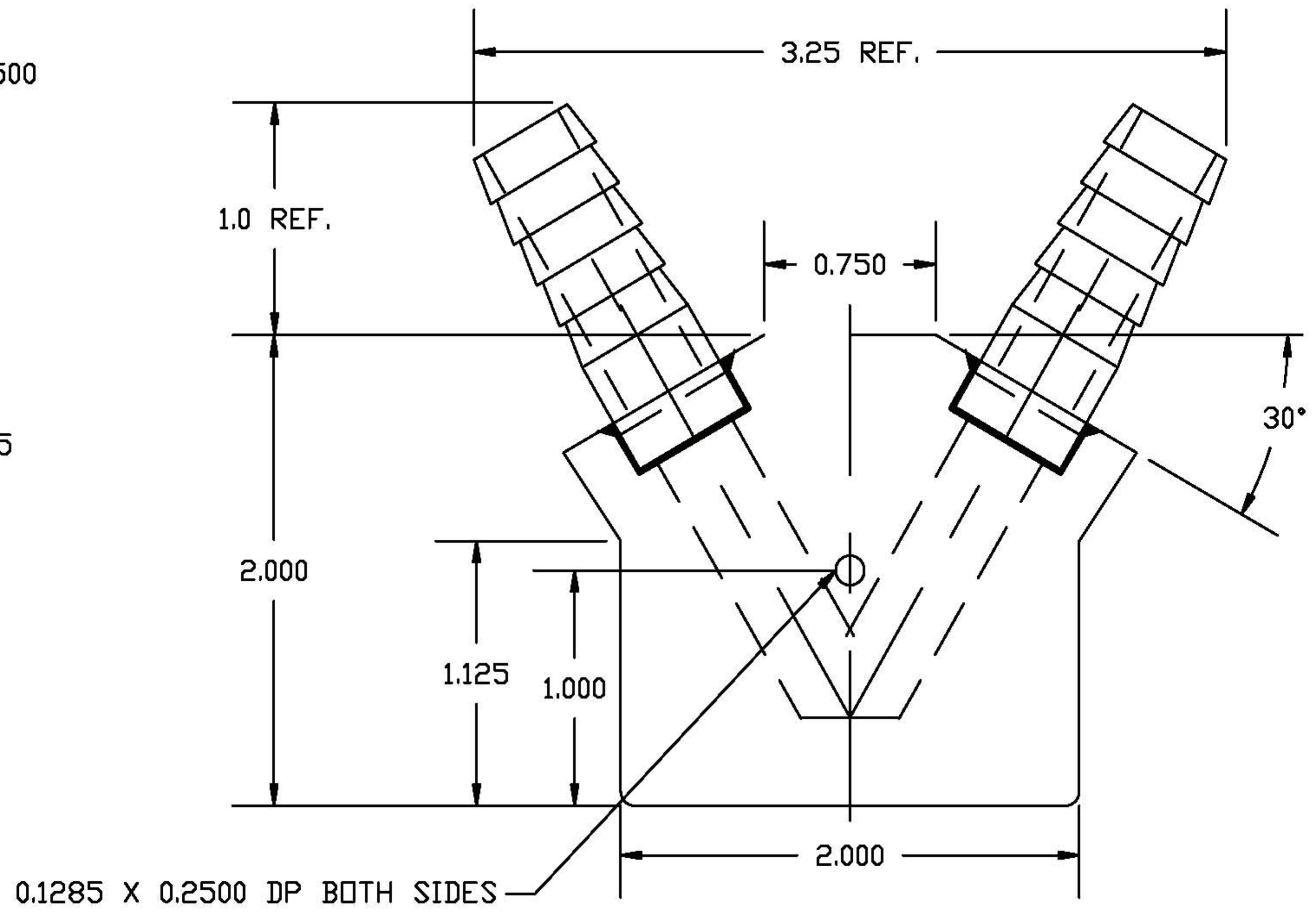
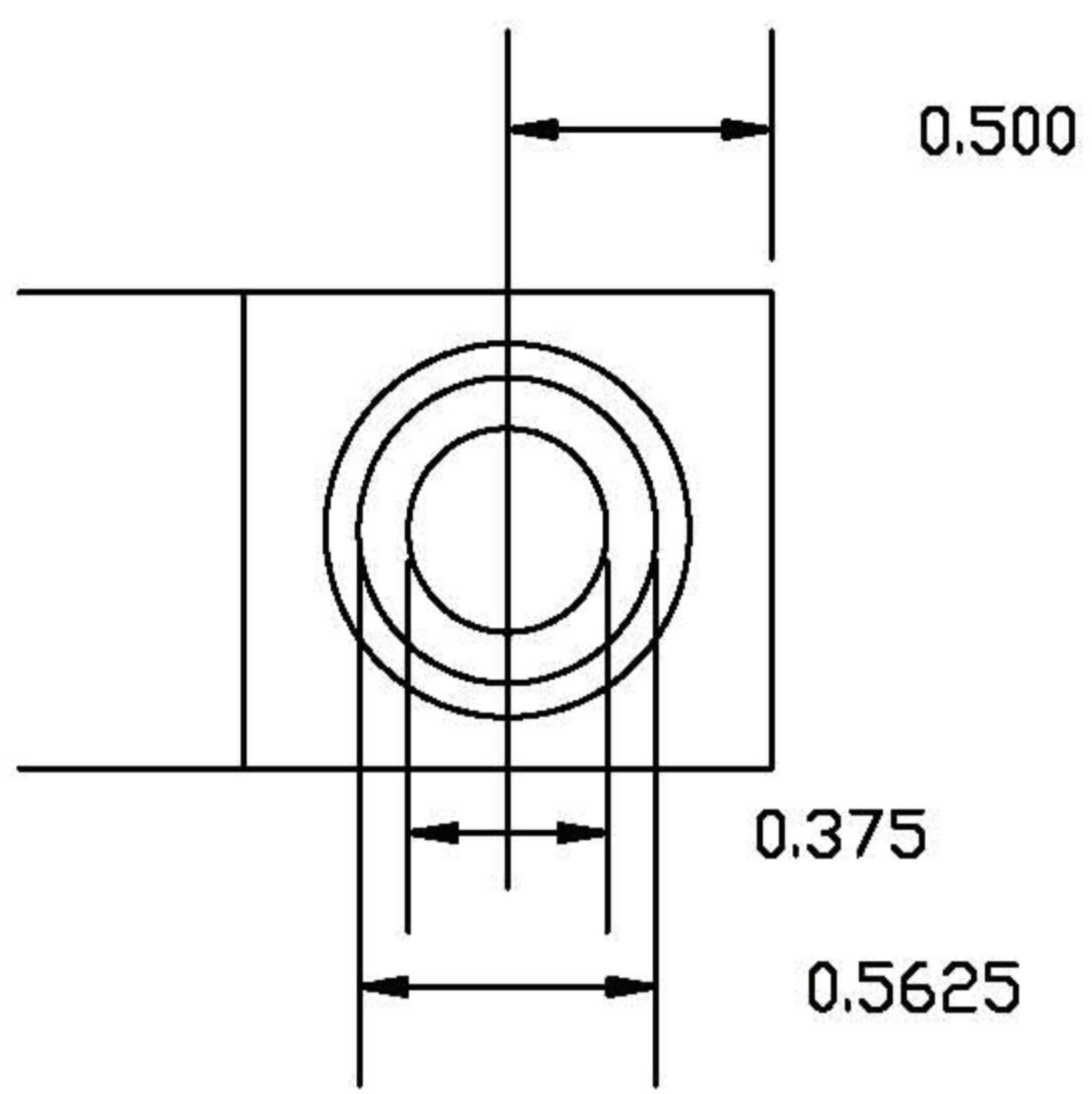


## LIQUID COOLED CHILL BLOCKS

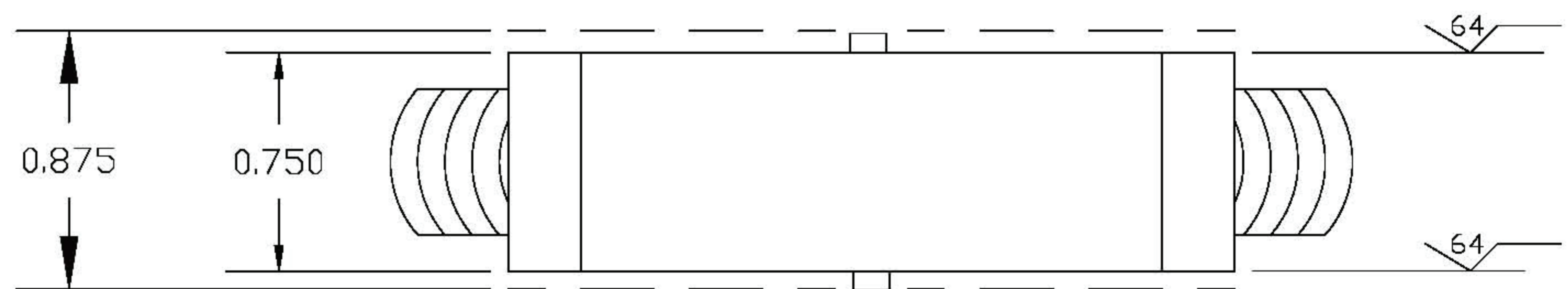
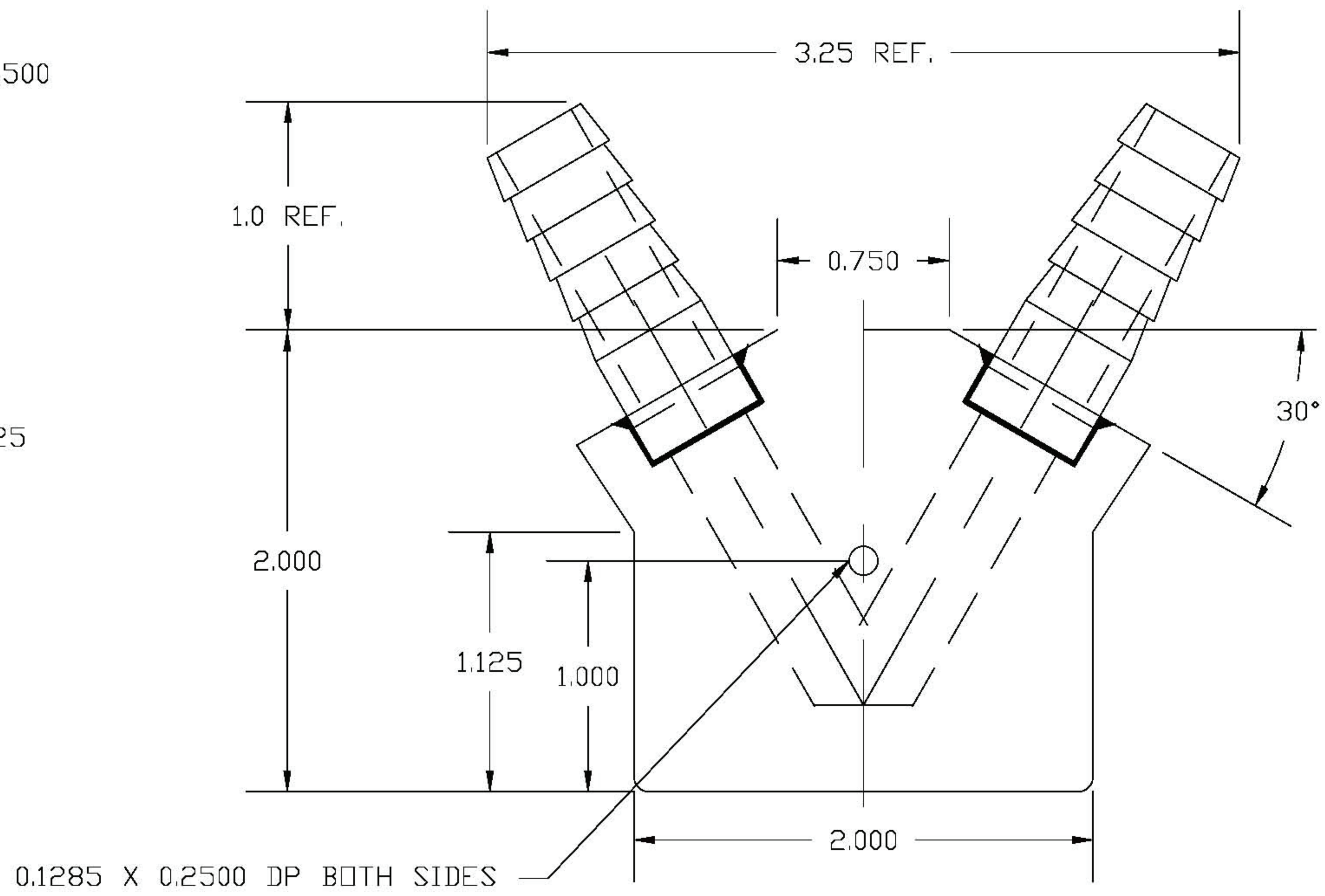
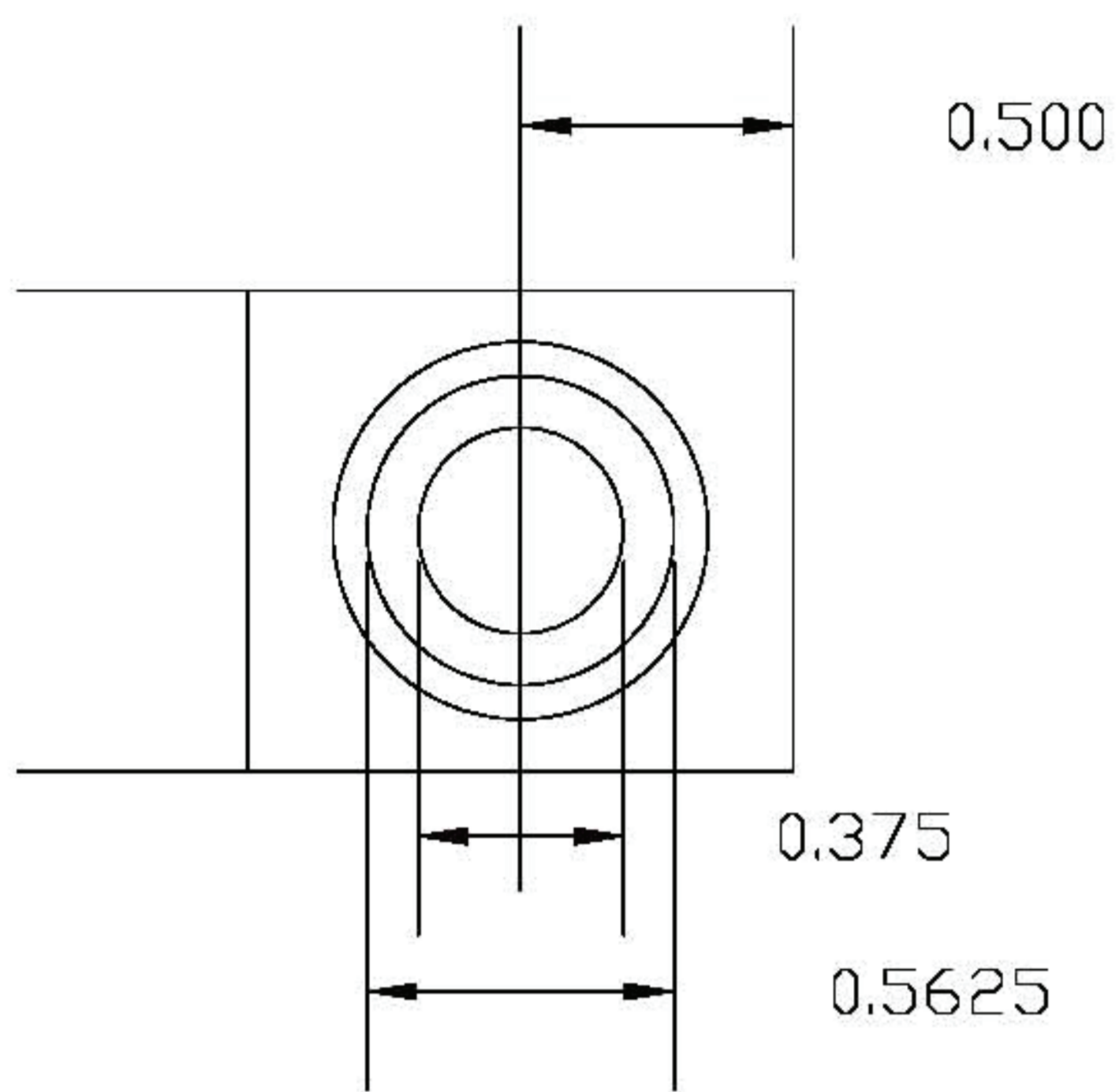
Product ID	Width		Height		Thickness		Rec Allowable Mounting Area		Mass		Thermal Resistance @ 2.0 GPM (°C/W)	Pressure Drop @ 2.0 GPM (PSI)	Profile pic
	(in)	(mm)	(in)	(mm)	(in)	(mm)	(Ø in)	(Ø mm)	(lbs)	(kg)			
VG6010	3.250	82.55	3.000	76.20	0.875	22.23	2.0	50.8	1.05	0.48	0.07	1.7	<a href="#">click here</a>
VG6075	3.250	82.55	3.000	76.20	0.750	19.05	2.0	50.8	0.88	0.40	0.07	1.7	<a href="#">click here</a>
VG6110	3.250	82.55	6.500	165.10	0.875	22.23	2.0	50.8	1.55	0.70	0.07	1.7	<a href="#">click here</a>
VG6210	4.500	114.30	2.000	50.80	0.750	19.05	2.0	50.8	0.87	0.39	0.063	.5	<a href="#">click here</a>
VG6222	5.500	139.70	4.500	114.30	0.750	19.05	2.0	50.8	1.31	0.60	0.063	.5	<a href="#">click here</a>
VG7010	4.250	107.95	4.000	101.60	0.875	22.23	3.0	76.2	2.33	1.05	0.042	1.5	<a href="#">click here</a>
VG7110	4.250	107.95	9.000	228.60	0.875	22.23	3.0	76.2	3.47	1.57	0.042	1.5	<a href="#">click here</a>
VG9010	6.500	165.10	4.000	101.60	0.875	22.23	4.0	101.6	4.25	1.93	0.028	.5	<a href="#">click here</a>
VG9110	9.750	247.65	6.500	165.10	0.875	22.23	4.0	101.6	6.05	2.74	0.028	.5	<a href="#">click here</a>

# VG6010



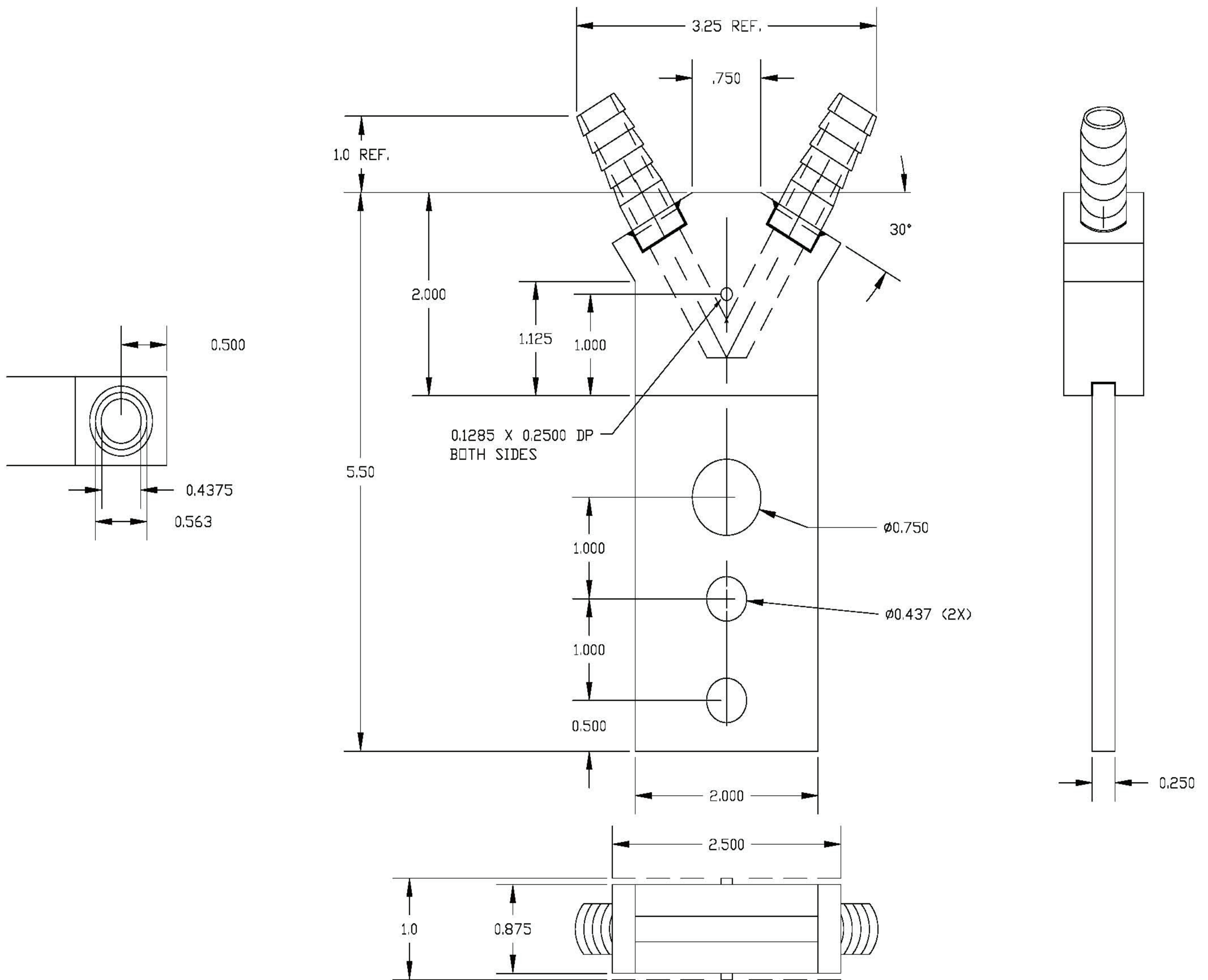
<<BACK

# VG6075



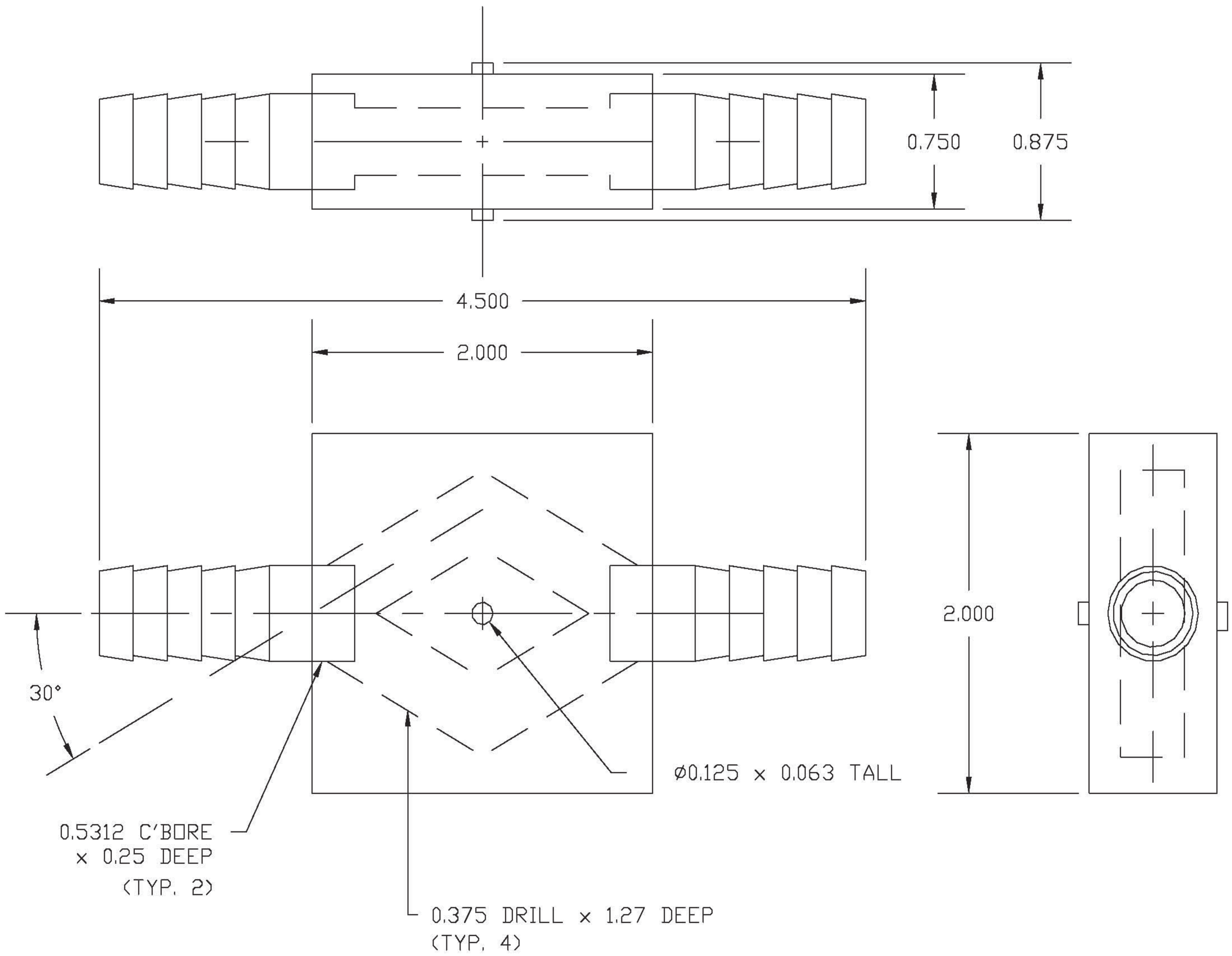
<<BACK

# VG6110



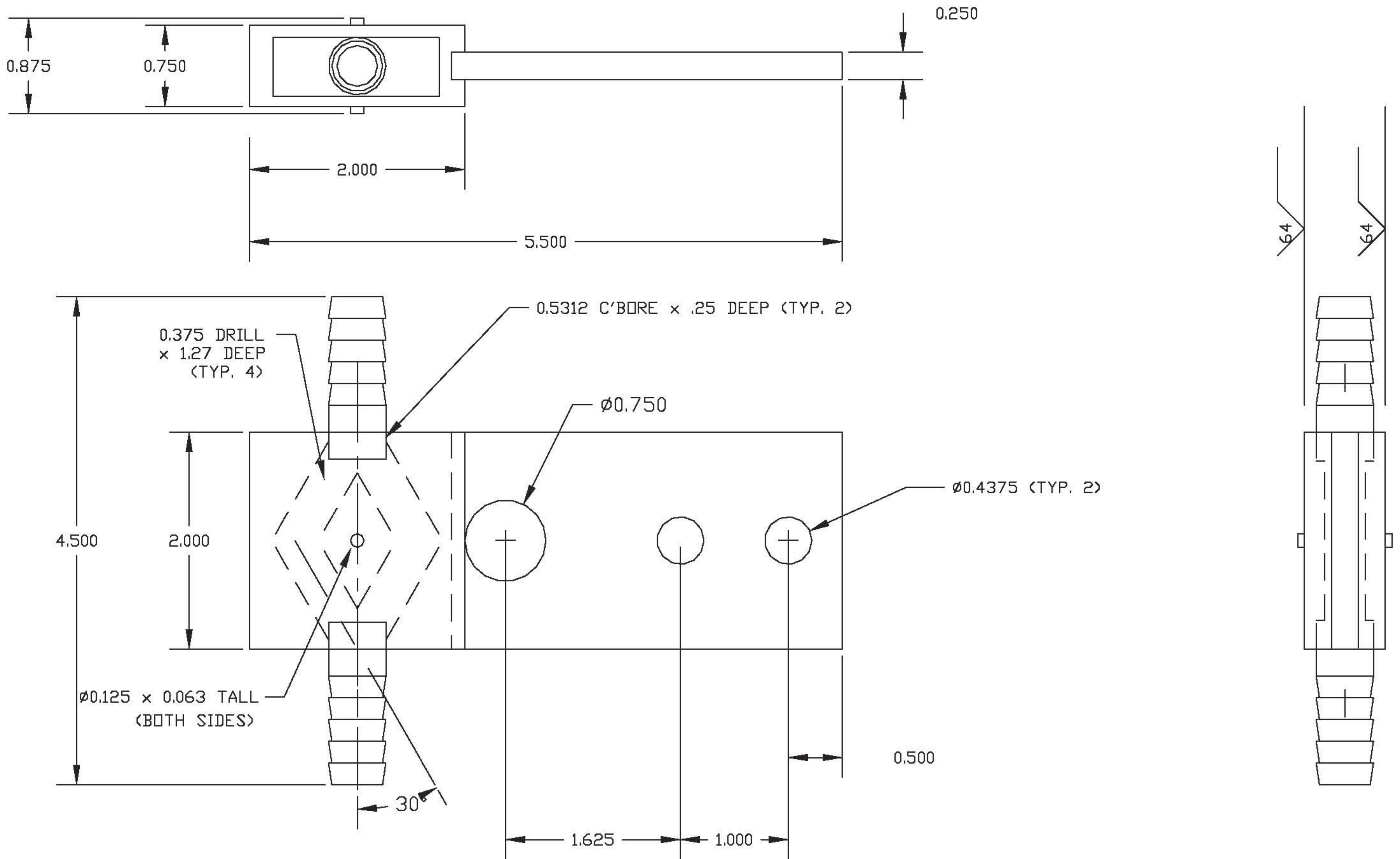
<<BACK

# VG6210



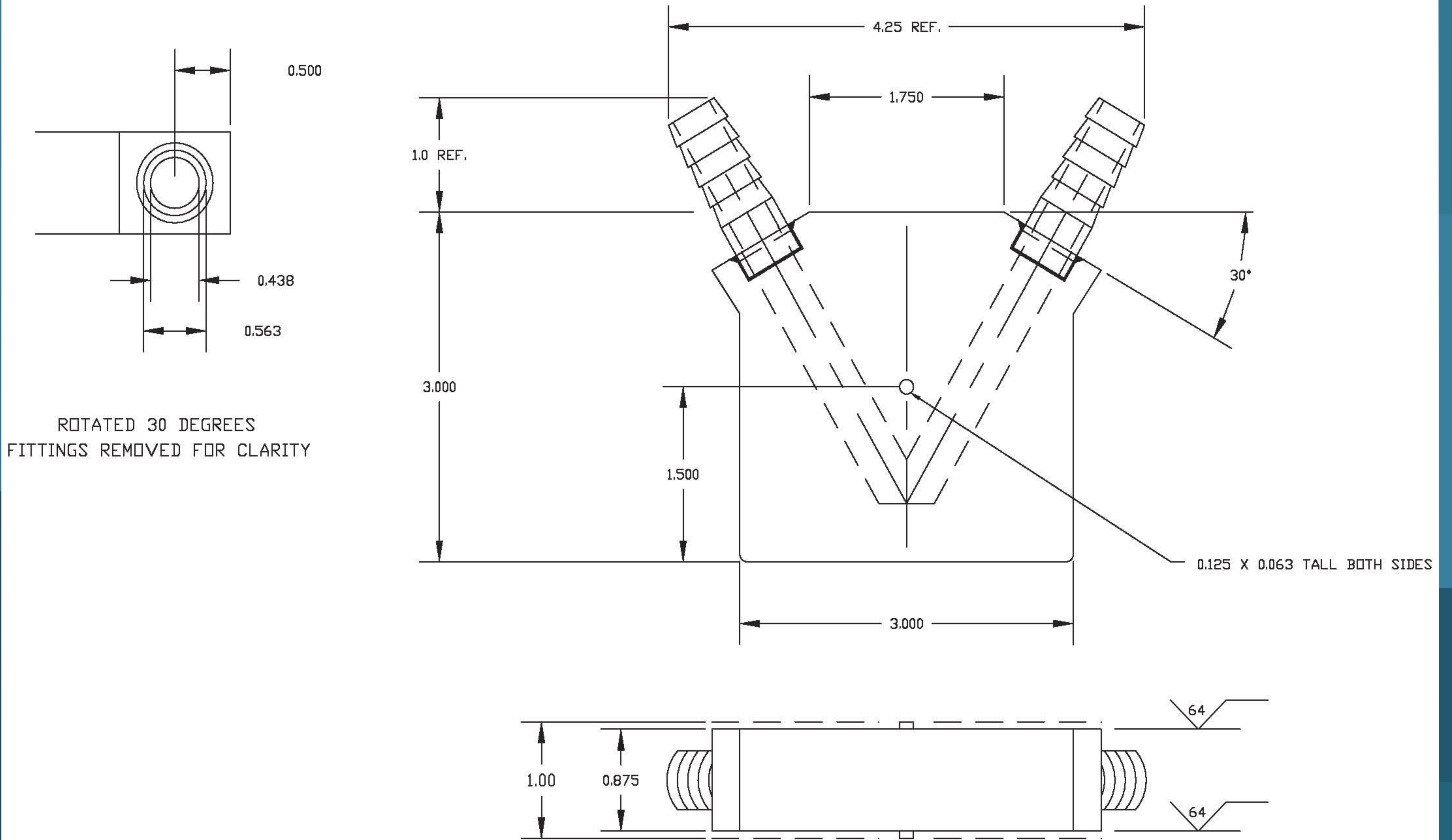
**<<BACK**

# VG6222



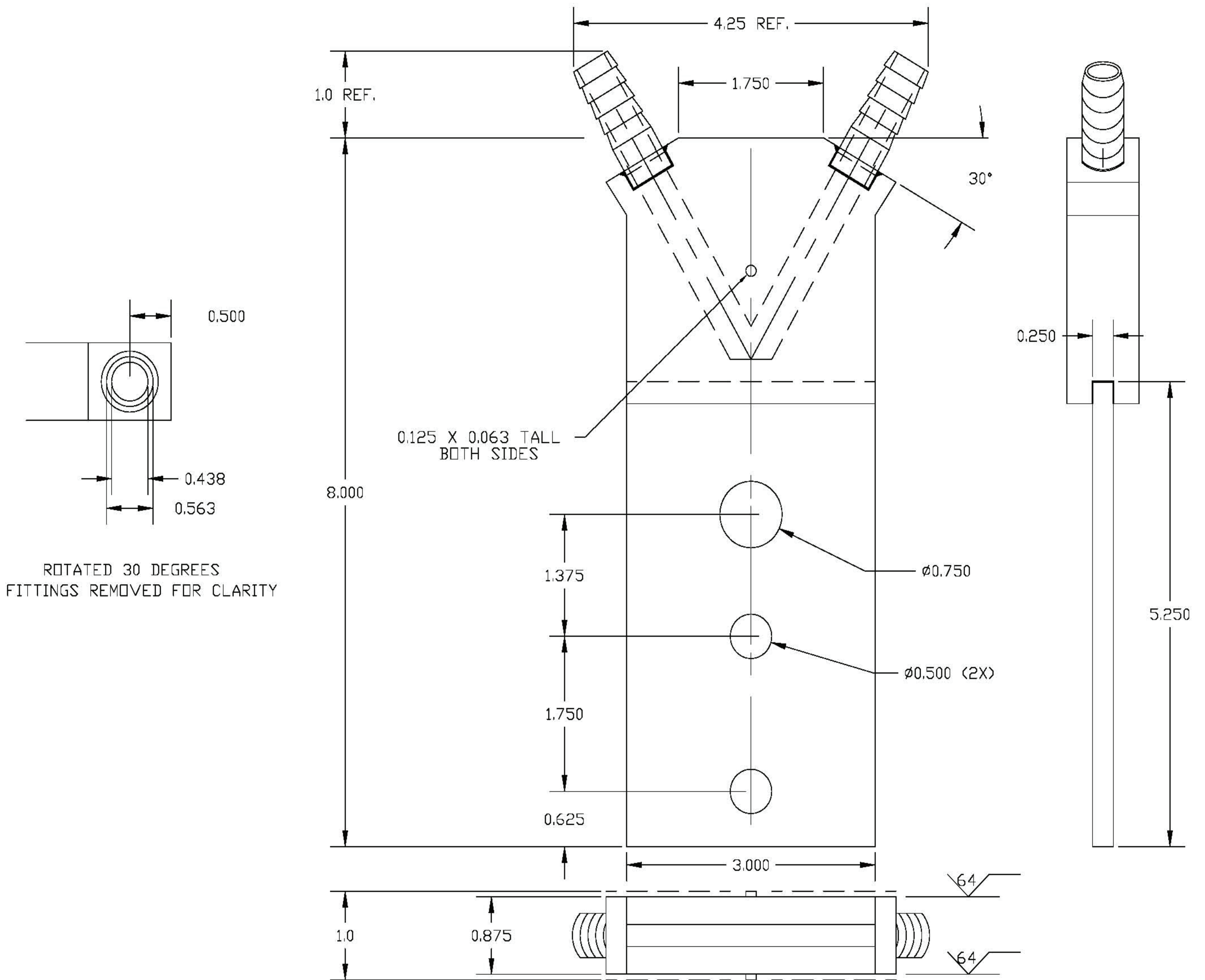
**<<BACK**

# VG7010



<<BACK

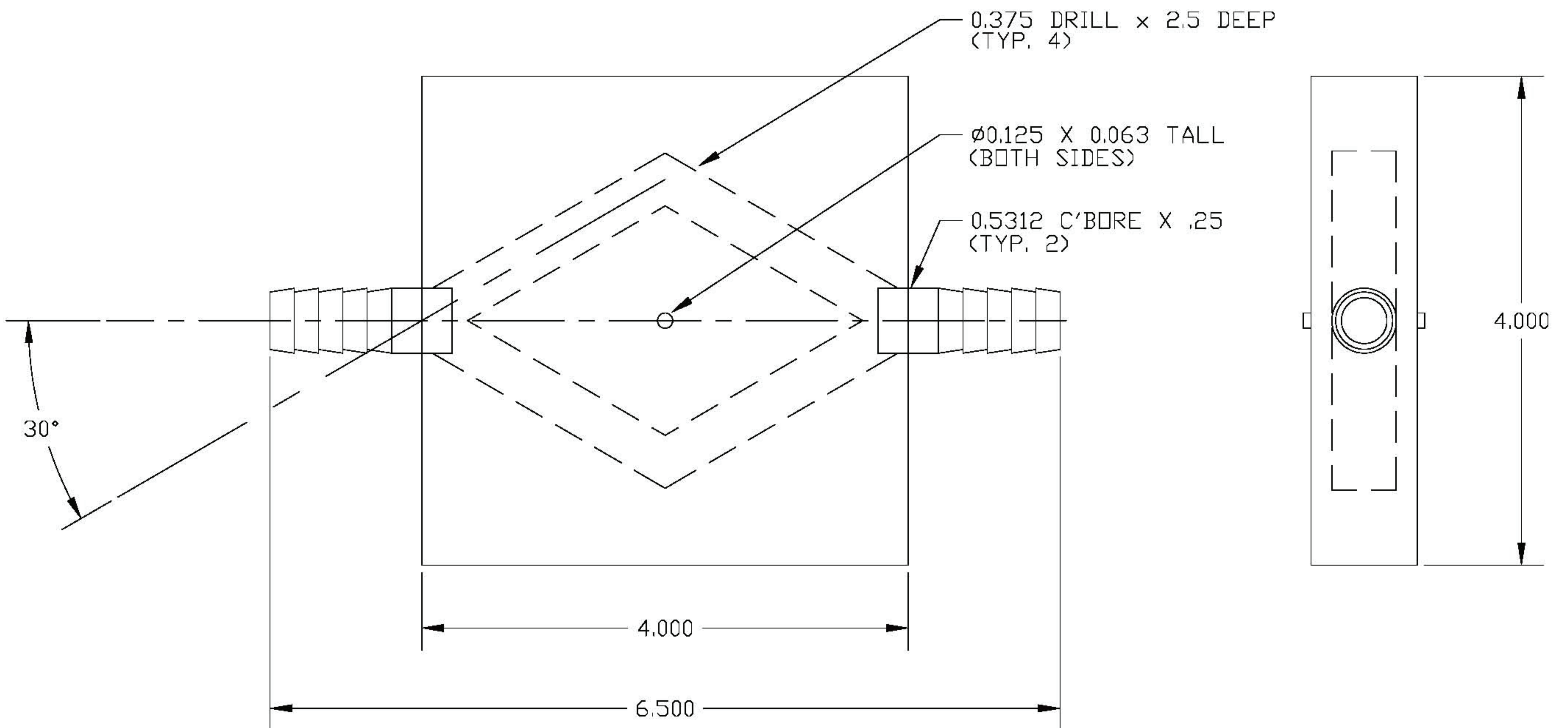
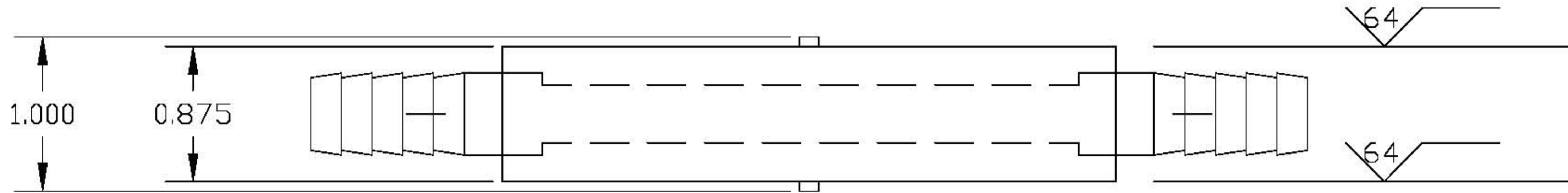
# VG7110



<<BACK

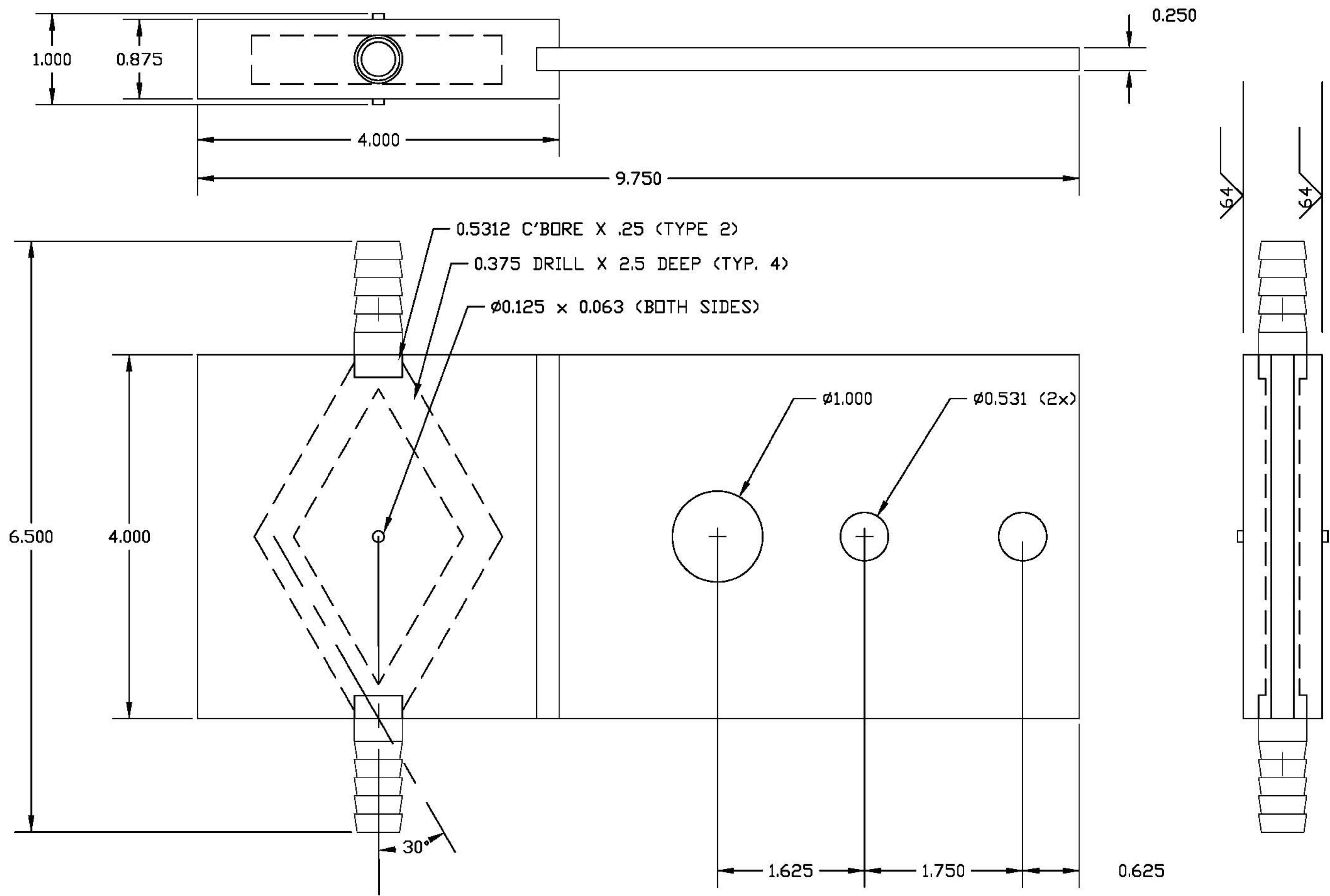


# VG9010



<<BACK

# VG9110



<<BACK