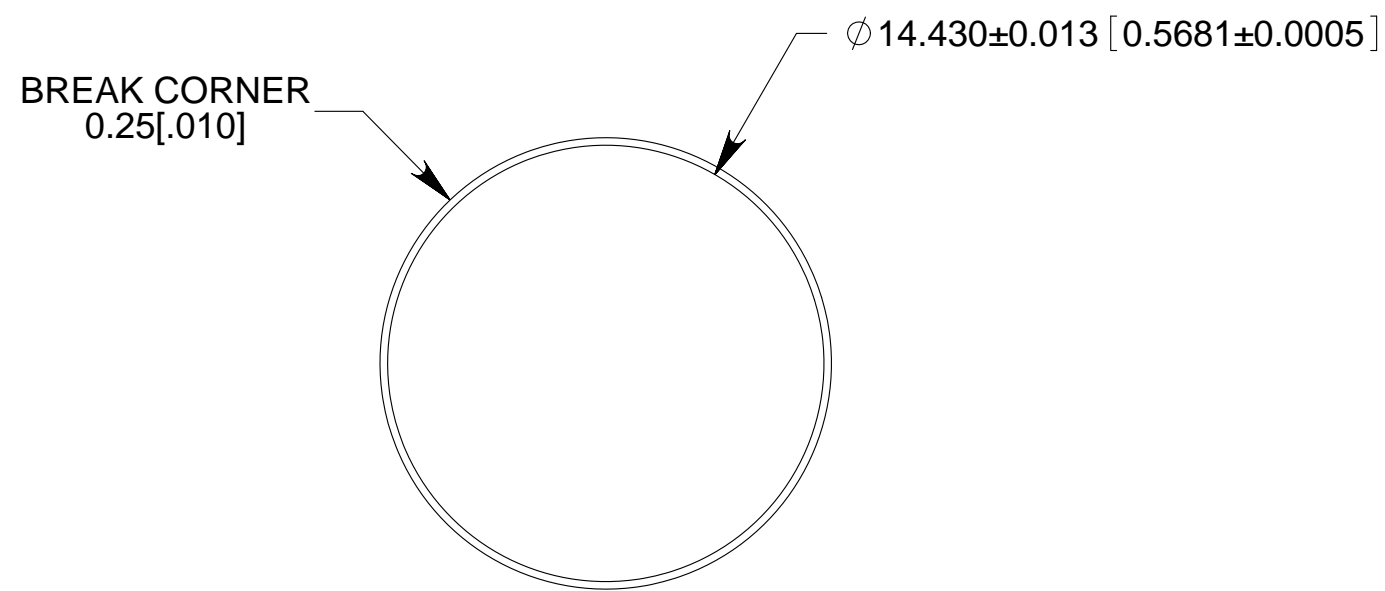
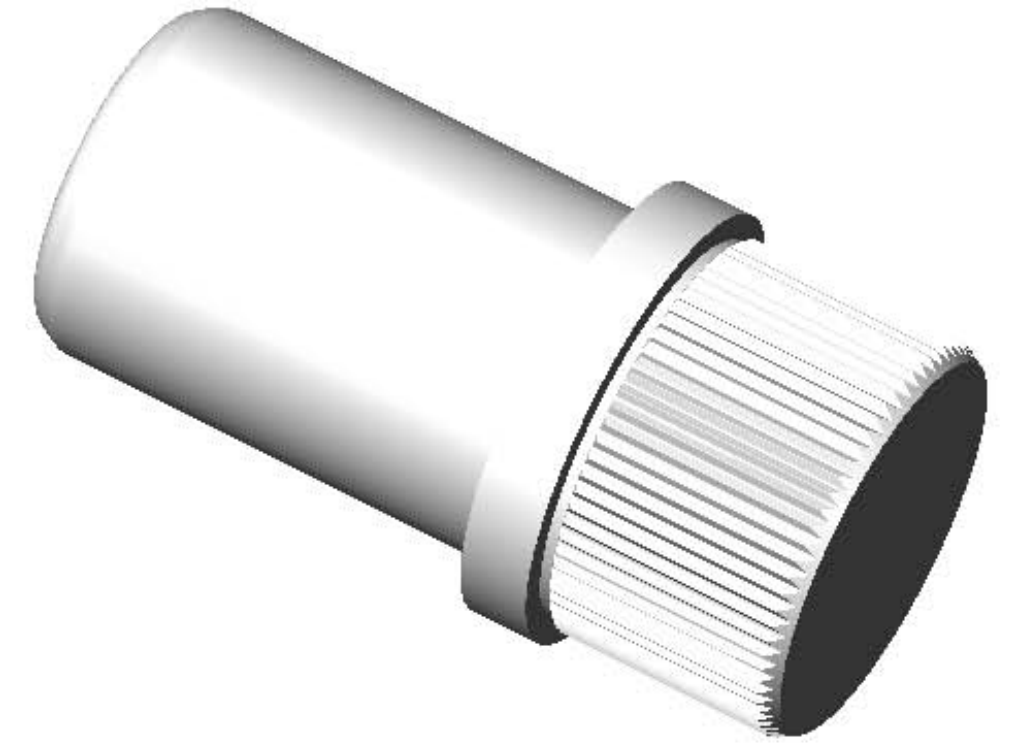
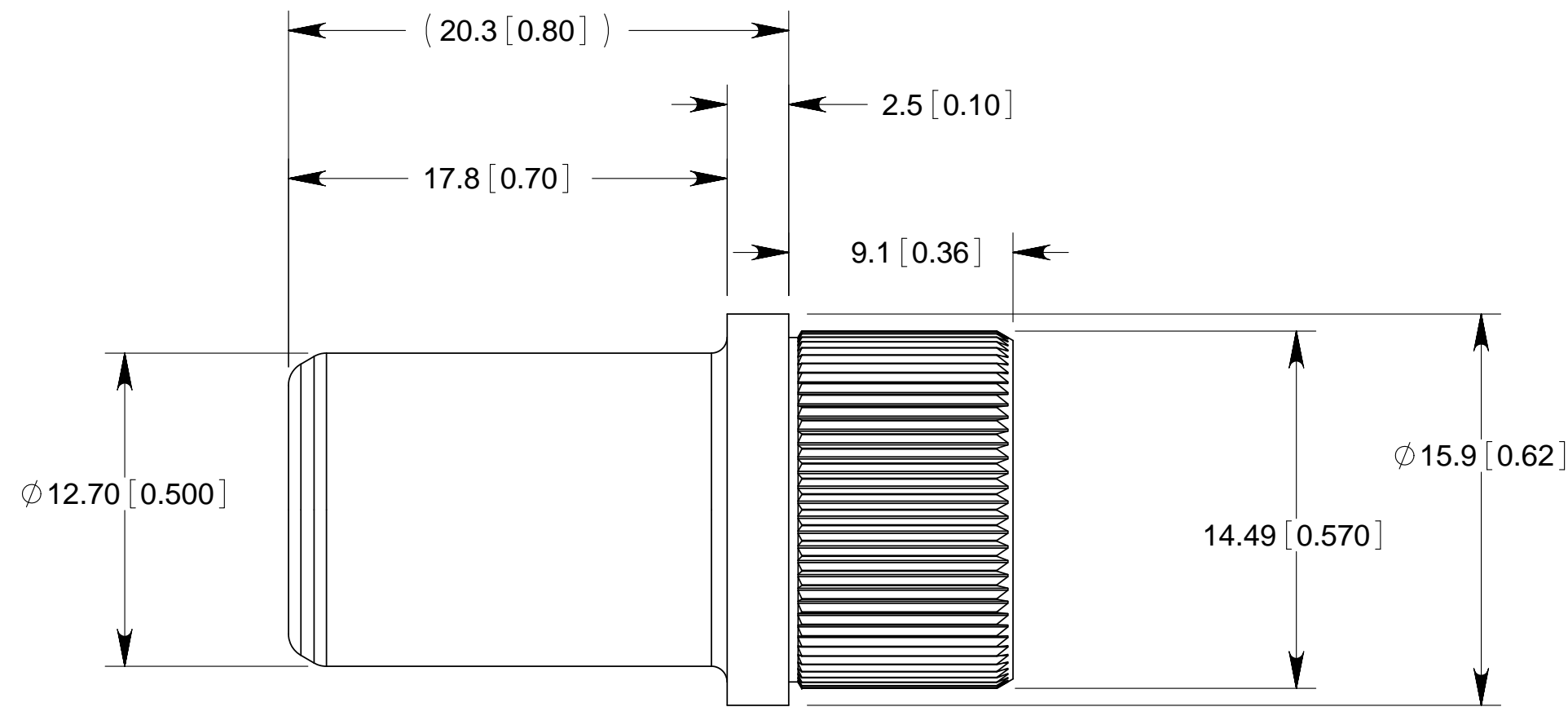


ECO	REV	VER	DESCRIPTION	DATE
EC-281	B	-	REDUCE FLANGE DIAMETER TO 15.9	01/27/2011
10777		1	TITLE BLOCK UPDATED	19-DEC-2018



**PRESS-FIT  
NOMINAL 0.06[.002] DIAMETER INTERFERENCE  
RECOMMENDED FOR COPPER BUS INSTALLATION**

**NOTES:** UNLESS OTHERWISE SPECIFIED

- CONTACT NAME AND PART NUMBER:  
NAME: CONTACT, PIN SIZE 12.7 MM, PRESS-FIT KNURL  
PART NUMBER: 9104-07086-02104
- MATERIALS: COPPER ALLOY
- FINISHES: SILVER PLATING OVER NICKEL UNDER PLATING
- REFERENCE DIMENSIONS IN PARENTHESIS (X.XX) ARE WITHOUT TOLERANCE AND USED FOR INFORMATION ONLY.

<p><b>THIRD ANGLE PROJECTION</b></p>	NAME	DATE	<p><b>METHODE ELECTRONICS, INC. POWER SOLUTIONS GROUP</b> 2025 Gateway Pl. #235, San Jose, CA 951120 (408) 453-9500</p>
	ORIG:	R. Larsen	
<p><b>TOLERANCES</b> UNLESS OTHERWISE SPECIFIED DIMENSIONS ARE IN MILLIMETERS TOLERANCES ARE:</p>	ENGR:	R. Larsen	<p><b>TITLE: CUSTOMER DRAWING, CONTACT, PIN SIZE 12.7 MM STRAIGHT KNURL</b></p>
	CHECKED:	H. Han	
<p><b>DECIMALS</b></p> <p>X.X ± 0.2</p> <p>X.XX ± 0.08</p> <p>X.XXX ± 0.013</p>	<p><b>PROPRIETARY AND CONFIDENTIAL NOTICE</b> ALL INFORMATION IN THIS DRAWING IS CONFIDENTIAL AND PROPRIETARY INFORMATION AND IS NOT TO BE DISTRIBUTED, COPIED, OR SHARED EXCEPT WITH PRIOR WRITTEN APPROVAL OF METHODE ELECTRONICS, INC. POWER SOLUTIONS GROUP.</p>		<p>SIZE</p> <p><b>C</b></p>
<p><b>ANGLES</b></p> <p>+ 2.0</p>	<p>SCALE: 4:1</p>		<p>DRAWING NUMBER:</p> <p><b>C9104-07086-02104</b></p>
<p><b>SURFACE FINISH: N/A</b></p>	<p>FILENAME: 9104-07086-02104</p>		<p>REV</p> <p><b>B</b></p>
	<p>SHEET 1 OF 1</p>		